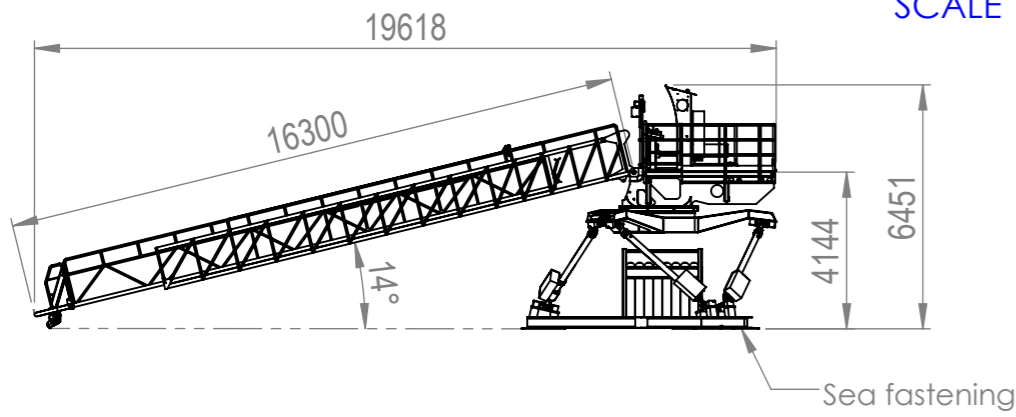
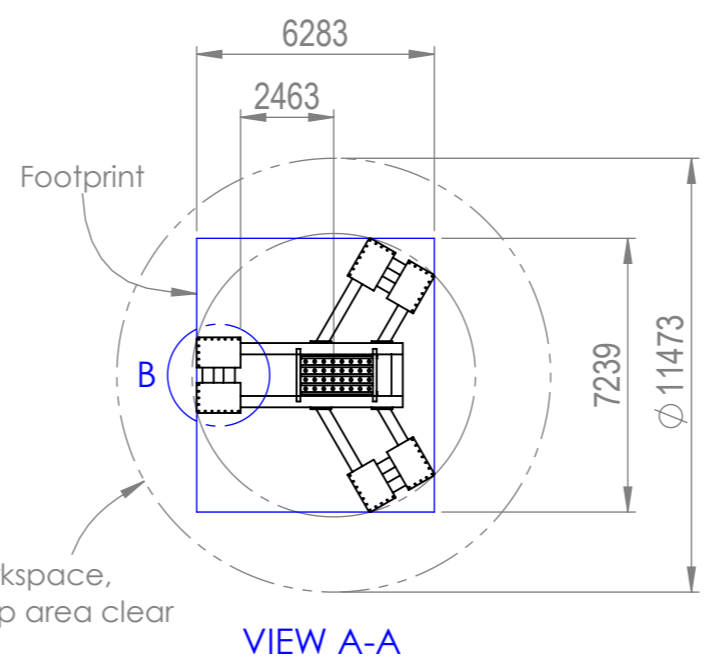
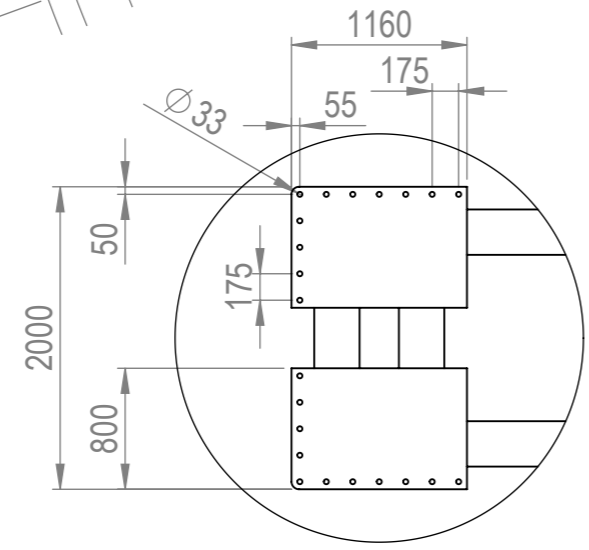
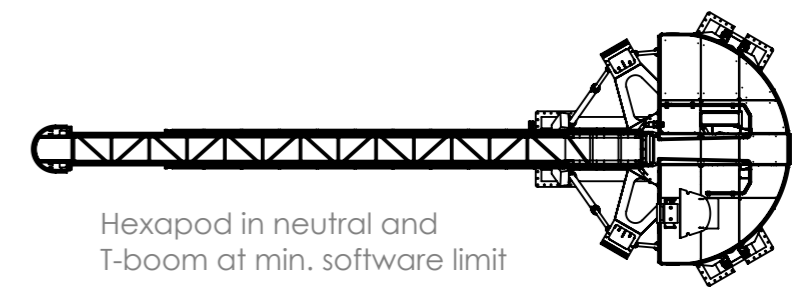
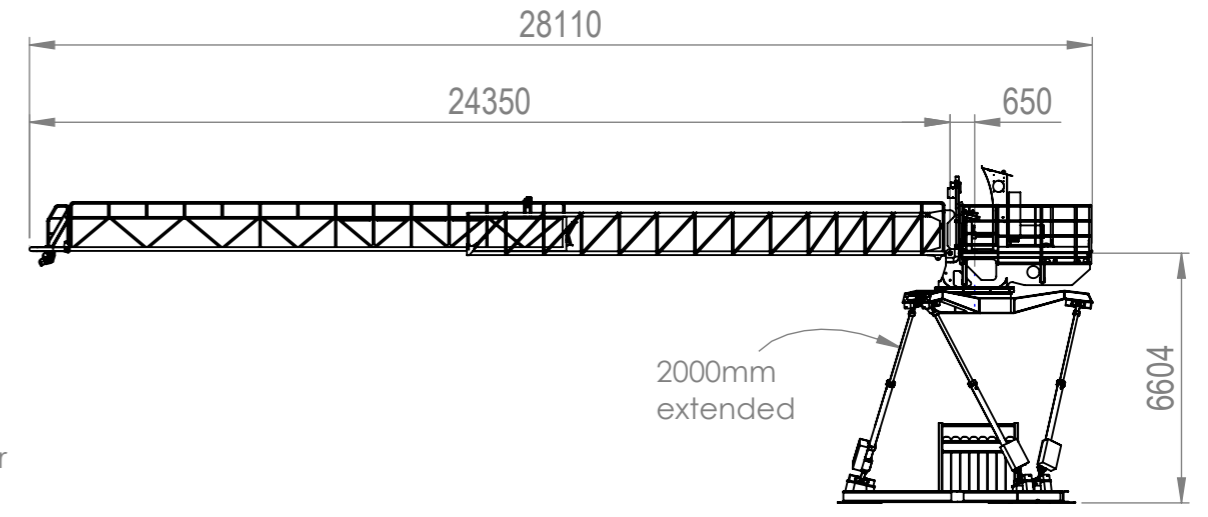
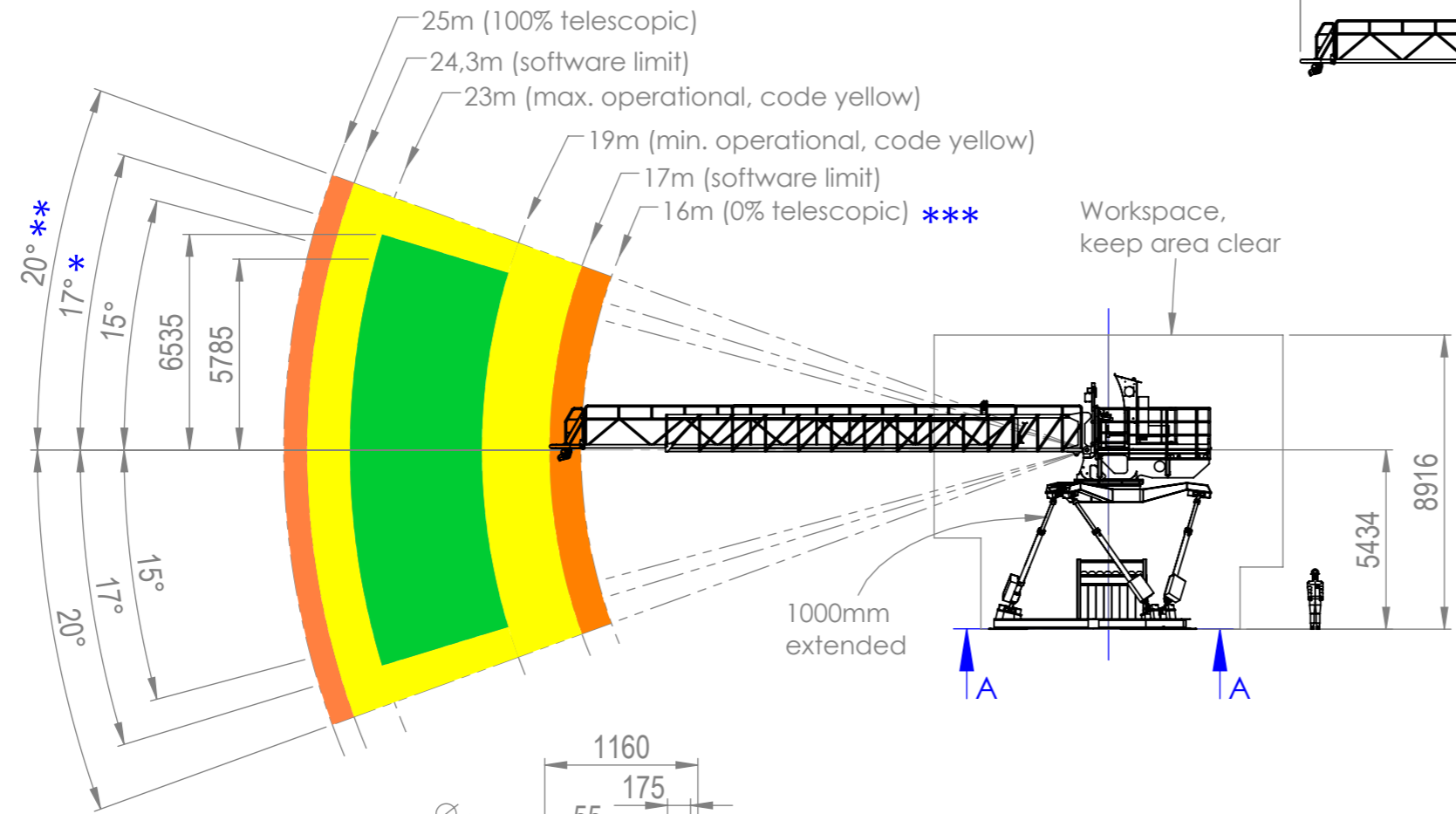


- * = Max. operational working angle (code yellow)
- ** = Maximum luffing angle
- *** = Distance between tip and centerline hexapod



No NDA required

REV.	DATE	DESCRIPTION	DRAWN	APPROVED D&D	APPROVED SE	APPROVED PRODUCTION
A	29 Jan 2016	Workspace of 15 degrees reduced spatial egg	TV	BvdL	AR	
0	8 Jan 2016	First issue	TV	JV	AR	

AMPELMANN
 Ampelmann Operations
 Kluiverweg 1
 2629 HS Delft
 The Netherlands
 www.ampelmann.nl
 +31 (0)20 2400 121 (T)

Released

- Unless noted otherwise, design according to Ampelmann specification document nr. UPF2QWY6EEAU-5-88

DRAWING NR.	AG25	This document is property of Ampelmann Operations bv. for which all rights are reserved, including those relating to patents or registered trademarks.		
PROJECT	AG25	SCALE	UNIT	SIZE
DESCRIPTION	Working Range	1:200	MM	A3
PROJECT CODE		SHEET	PROJ.	
		1/1		